

The Outdoor Motion Sensor alarms when motion is sensed. It is battery-powered, with a weatherproof enclosure.

Features

- IP55 weatherproof enclosure
- Adjustable detection range
- 5-year warranty

Enroll by placing the panel into wireless enrollment mode and sending an enrollment signal from the motion sensor.

Options for sending an Enrollment Signal

- Remove the battery tab, OR
- Remove the cover to trip tamper

Install by loosening the mounting plate screw and removing the motion sensor body. Next punch out the mounting holes and secure the mounting plate to a surface. Finally place the motion sensor body back onto the mounting plate and tighten the mounting plate screw.

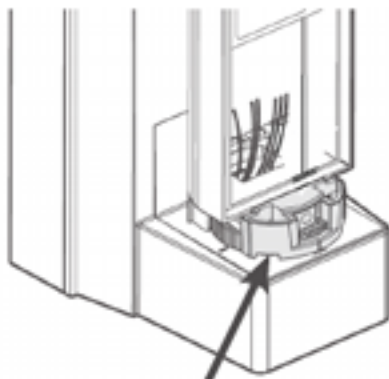
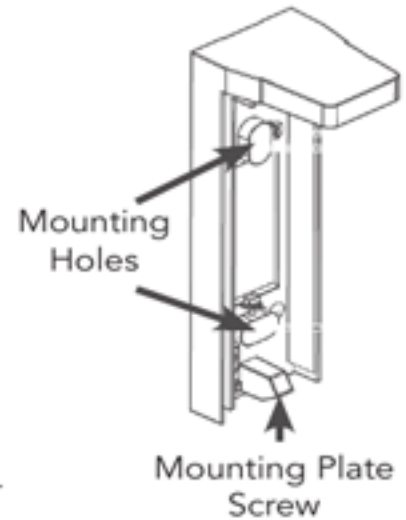
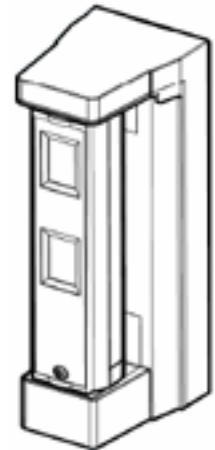
Mounting

- Mount 2.5 to 4 feet (0.8m to 1.2m) from the center of the sensor to ground.
- Mount vertically ensuring the sensor is not tilted.

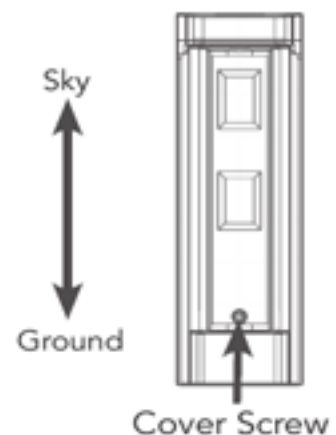
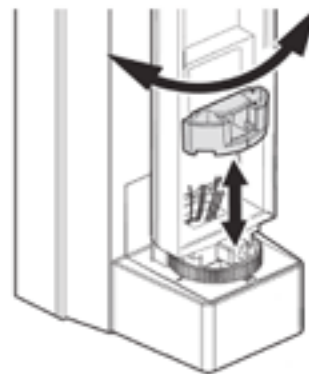
Sensor direction can be changed by removing the cover and the direction locking part and then turning the sensor. After changing the sensor direction replace the direction locking part and cover.

Direction locking

- Direction locking part is removed by prying up on the pry points with a screwdriver.

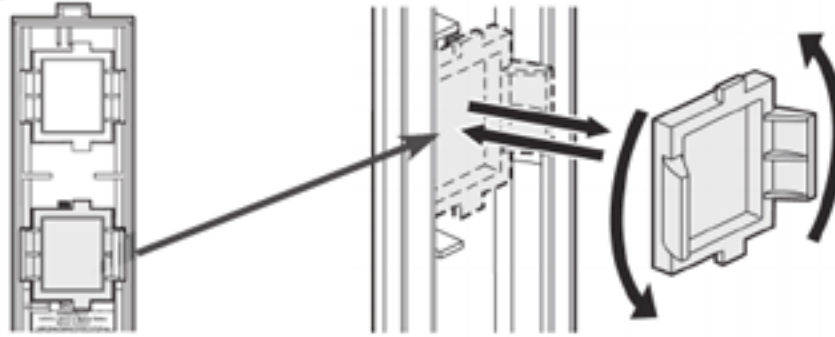


Direction locking part pry point



Use the panel installation guide to verify proper system setup.

Detection length can be changed from the default 16.5 feet (5m) detection length to a 6.5 feet (2m) detection length by rotating the lower lens 180 degrees. Do not remove the upper lens.



Test the motion using **walk test mode** which is defaulted to be ON.

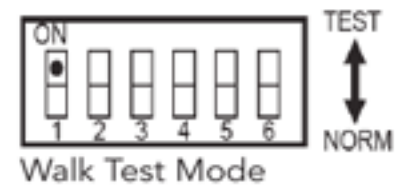
Turn OFF walk test mode once installation is complete. (Refer to Selectable Modes)

Replace the battery by removing the mounting plate and replacing the battery.

Pro Tips

Selectable Modes of operation are controlled by DIP switches that can be accessed by removing the cover.

Walk Test Mode will turn the LED on for 2 seconds when an object is detected and allows the motion to be tripped again every 5 seconds. Select **normal mode** after the sensor is installed and tested.
Default: Walk Test Mode



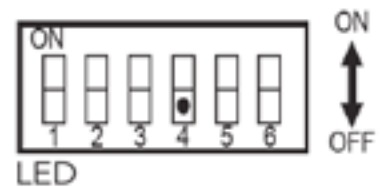
Battery-Saving Timer controls how often the sensor can be tripped again and can be either 120 seconds or 5 seconds. Setting to 5 seconds will reduce battery life.
Default: 120 seconds



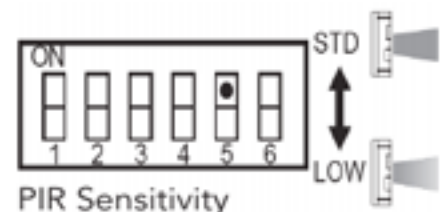
Alarm and Trouble Output should be set to N.C.
Default: N.C.



The LED can be turned ON to light when motion is detected. If OFF and the LED is lighting check if walk test mode is disabled.
Default: OFF



PIR Sensitivity is selectable between the standard sensitivity and low sensitivity.
Default: Standard Sensitivity



Wall tamper is made active by securing the wall tamper hole with a screw.

Motion catch performance is best when the motion sensor is positioned so a person would typically walk across the front of the motion sensor instead of directly toward the motion sensor.

Motion Detection Tips

- Provide a clear line-of-sight to the monitored area and remember that glass blocks infrared energy.
- Aim away from windows and sunlight.
- Aim away from air conditioners, heaters or heating/cooling vents.



Wall Tamper Hole

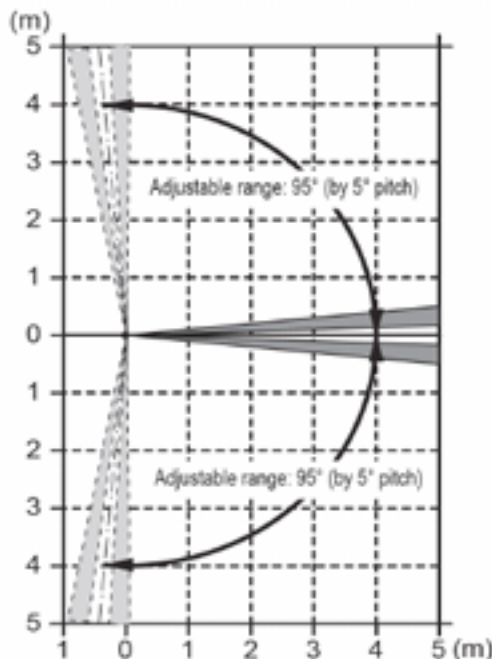
Install in accordance with the Standard for Installation and Classification of Burglar and Holdup Alarm Systems, UL 681.

Zone Configuration

Location	Alarm Output			Panel Event	Chime	Report to CS	
	Disarm	Away	Stay			Alarm	Trouble
Front Porch, Gate Entrance, Deck	No	No	No	Yes	Toggle On or Off	No	Yes
Basement, Crawl Space, Storage Shed	No	Instant Alarm	Instant Alarm	Yes	On during disarm	Yes	Yes
Garage, Sunroom, Screened in Porch	No	Entry Delay	Entry Delay	Yes	On during disarm	Yes	Yes
Driveway, Sidewalk, Public Areas	No	No	No	No	Toggle On or Off	No	Yes

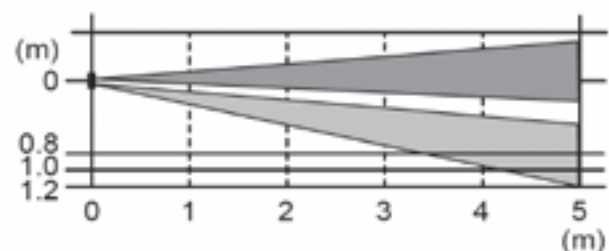
Specifications

Top View (Sensor Direction)

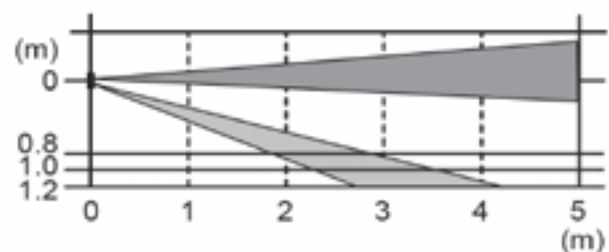


Side View

5 m detection length



2 m detection length



Specifications

Physical	
Housing Dimensions	7.0 x 2.7 x 2.1 inches (17.7 x 6.8 x 5.2 cm)
Weight with Battery	6.4 ounces (180 grams)
Mounting Fasteners	#4 or #6 screws (not provided)
Environmental	
Operating Temperature	-4 to 140°F (-20 to 60°C)
Maximum Humidity	95% non-condensing relative humidity
Weatherproof	IP55
Sensor Specifications	
Frequency	433.92 MHz
Replacement Battery	One Panasonic CR123A
Nominal Battery Life	2 years (500 trips per day), 5 years (150 trips per day)
Battery Voltage	3.0 VDC (Nominal), 2.3 VDC (Low)
Current Draw	30 mA (Maximum), 11.2 uA (Quiescent)
Mounting Height	2.5 to 4 feet (0.8 to 1.2m)
Detection Length	Default: 16.5 feet (5m), Optional: 6.5 feet (2m)
Detectable Speed	1 to 5 feet per second (0.3 to 1.5 metres per second)
Transmitted Indications	Motion, Cover Tamper, Wall Tamper, Low Battery, Supervision
Certification	
RE153, RE253, RE253T, RE353, RE653	UL639, ULC-S309-03, ETL, FCC, IC, RCM EN 50131-2-2, EN 60950-1, EN 300 220, EN 301 489, CE Security Grade 2, CE Environmental Class 2

Specifications subject to change without notice

WARRANTY

Alula will replace all non-portable products that are defective in their first five (5) years, and all portable products that are defective in their first two (2) years.

TRADEMARKS

Alula and Connect+ are trademarks owned by Alula Holdings, LLC.

IC NOTICE

This device complies with Industry Canada license-exempt RSS standard(s). Operation is subject to the following two conditions:

- (1) This device may not cause interference, and
- (2) This device must accept any interference, including interference that may cause undesired operation of the device.

Le présent appareil est conforme aux cnr d'Industrie Canada applicables aux appareils radio exempts de licence. L'exploitation est autorisée aux deux conditions suivantes:

- (1) L'appareil ne doit pas produire de brouillage, et
- (2) L'utilisateur de l'appareil doit accepter tout brouillage radioélectrique subi, même si le brouillage est susceptible d'en compromettre le fonctionnement.

IC: 8310A-RE107, 8310A-RE207, 8310A-RE307

FCC NOTICE

This device complies with Part 15 of the FCC rules. Operation is subject to the following two conditions:

- (1) This device may not cause harmful interference.
- (2) This device must accept any interference that may be received, including interference that may cause undesired operation.

Changes or modifications not expressly approved by Alula could void the user's authority to operate this equipment.

FCC ID: U5X-RE107, U5X-RE207, U5X-RE307

CE DECLARATION OF CONFORMITY

Hereby, Alula declares that this RE653-CE is in compliance with the essential requirements and other relevant provisions of directive 1999/5/EC.

(This declaration can be translated to other languages via a myriad of translation tools found on the Internet.)

47-0031-08 • REV B • 2018-12-27

Tech Support Line • (888) 88-ALULA • (888) 882-5852

alula.net